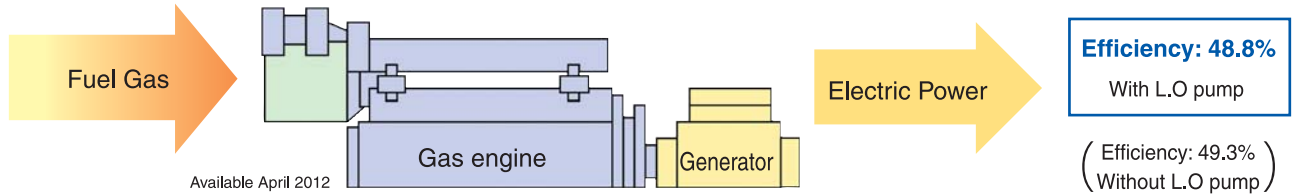


# CHP Sample Configuration

KU30GSI CHP plants support a wide range of applications, including: Building HVAC (Heating and Cooling), Boiler Feed Water Heating, Industrial Drying Systems, Food Processing and Fermentation Systems. The engine can be easily integrated into a wide range of chiller, boiler and heat pump applications.

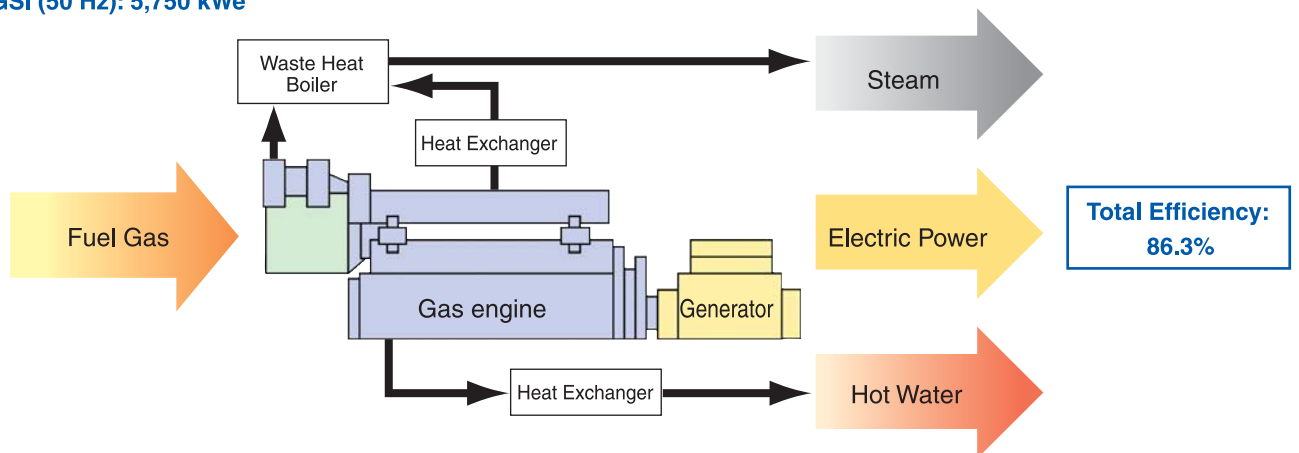
## Power Generation Baseline:

18KU30GSI (50 Hz): 5,750 kWe



## CHP Configuration providing Electricity, Steam and Hot Water:

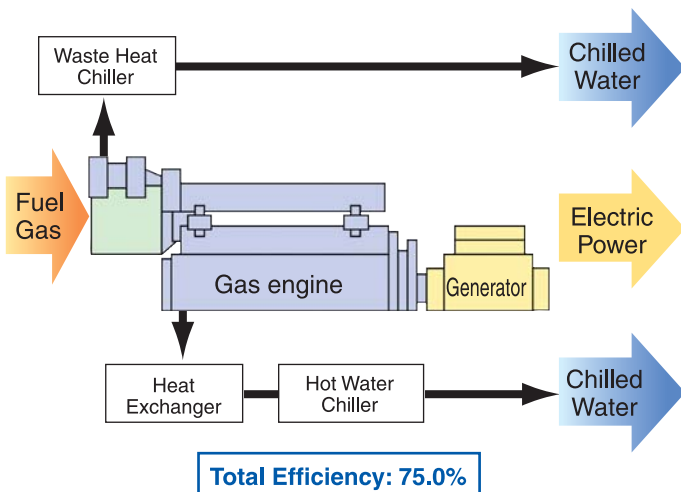
18KU30GSI (50 Hz): 5,750 kWe



Note: If Thermal Output completely converted to Hot Water - Plant Efficiency increases to **89%**

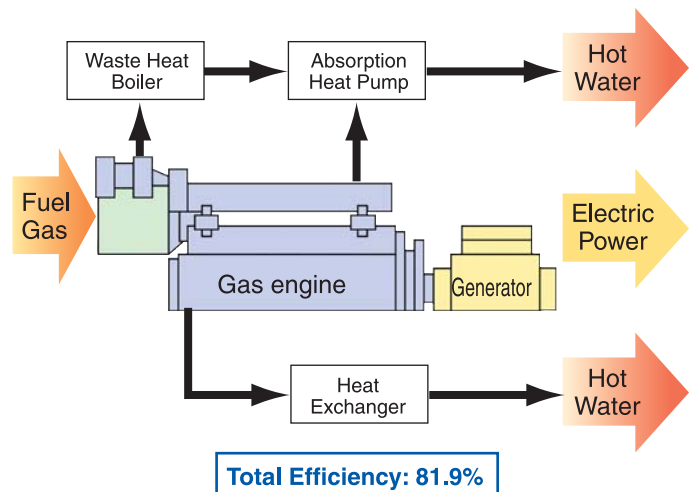
## CHP: Electricity and Chilled Water:

18KU30GSI (50 Hz): 5,750 kWe



## Producing power and hot water using absorption heat pump system

18KU30GSI (50 Hz): 5,750 kWe



Remarks:  
Thermal efficiencies subject to final design configuration, application specific environmental conditions and project specific fuel characteristics.  
These examples were developed based on ISO 3046 standard conditions and configurations.

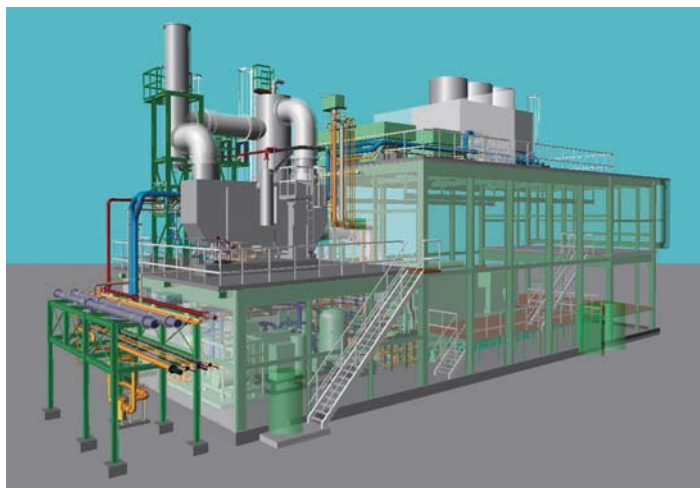
## ● Reliable package power plant & short delivery

We can offer the package plant incorporating the several kinds of output: electric power, steam, and hot water.  
It is possible to install a reliable power generation plant with short time delivery by application of a MODULAR concept.



Various Models of KU Gas Engine Series Package Power Plant

Engine type	12, 14, 16, 18KU30GSI & GA			
Unit(s)	1, 2, 3			
Package plant model	Saving premise model	Standard model	Lower noise model	With SCR model



Saving premise model, 1 unit



With SCR model, 3 units

 **MITSUBISHI HEAVY INDUSTRIES, LTD.**

### Head Office

16-5, Konan 2-chome, Minato-ku, Tokyo, Japan  
Phone: 81-3-6716-4489  
Telefax: 81-3-6716-5772

### Yokohama Dockyard & Machinery Works

Kanazawa Plant  
8-1, Sachiura 1-chome, Kanazawa-ku, Yokohama, Japan  
Phone: 81-45-775-1202  
Telefax: 81-45-775-1242