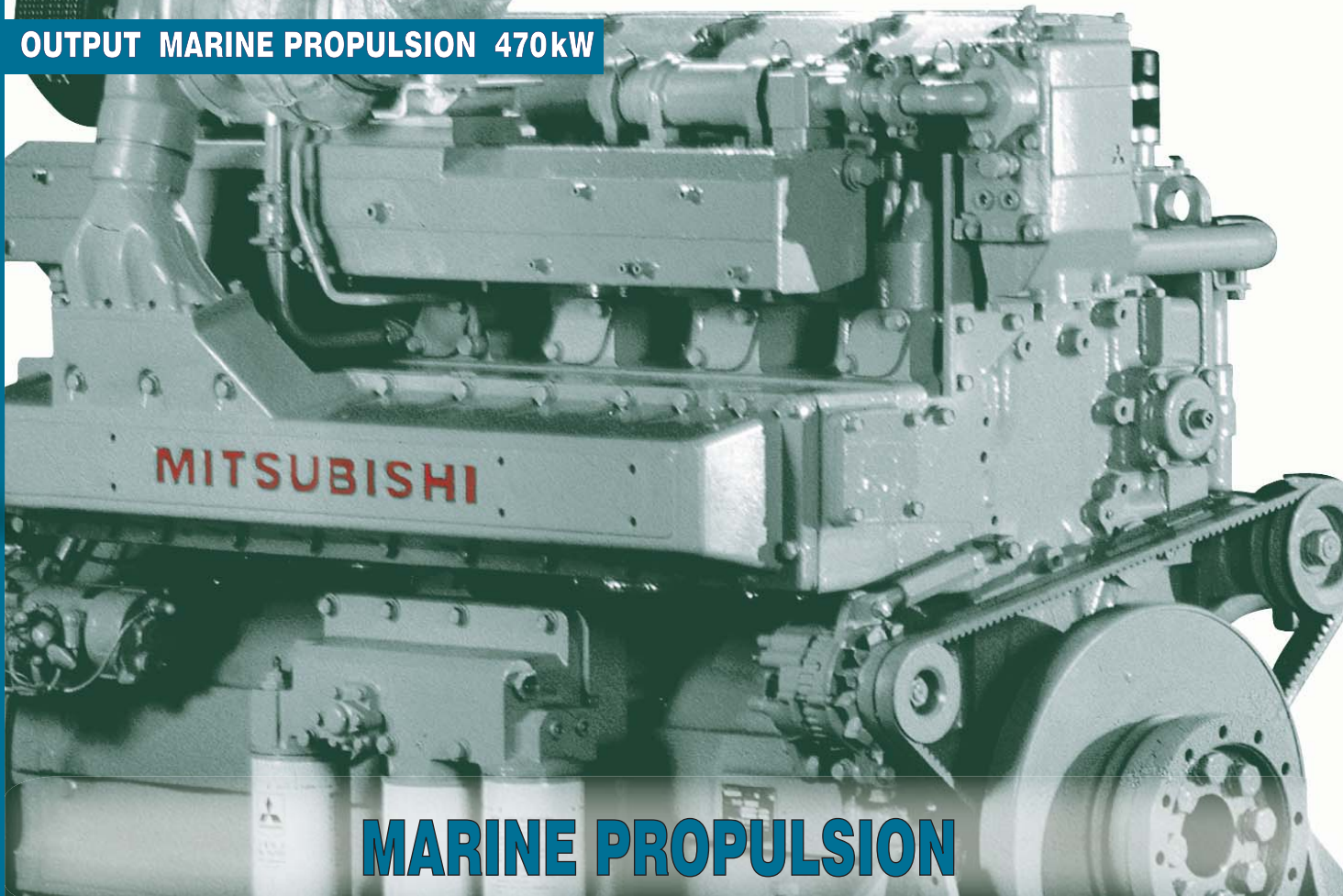


MITSUBISHI MARINE

S6R

OUTPUT MARINE PROPULSION 470kW



MARINE PROPULSION

Economic Operation

All Mitsubishi engines are designed and built to deliver performance, dependability and fuel efficiency. From the combustion chamber design to the fuel injection technology, to the turbocharger and the advanced cooling system...everything has been perfectly balanced to provide highly reliable operation and optimum fuel consumption across the entire power curve.

Easy Maintenance

With Mitsubishi's S6R marine engine, maintenance is very easy. Each cylinder has its own cylinder head and the engine has large inspection covers on the crankcase and oil pan. No auxiliary component requires separate lubrication, whether it's the fuel injection pump, the governor, the water pump or the turbocharger.

Approved by All Major Classification Societies

At our ISO certified manufacturing facilities, every Mitsubishi S6R diesel engine is built to meet the highest quality standards, as recognized by Lloyd's Register of Shipping and other major international marine classification societies.

Environmental Compatibility

Mitsubishi offers a full line-up of engines that comply with IMO and EPA emissions standards.

Local Support Around The Globe

A team of support specialists is available worldwide to ensure that service and maintenance are performed without delay.

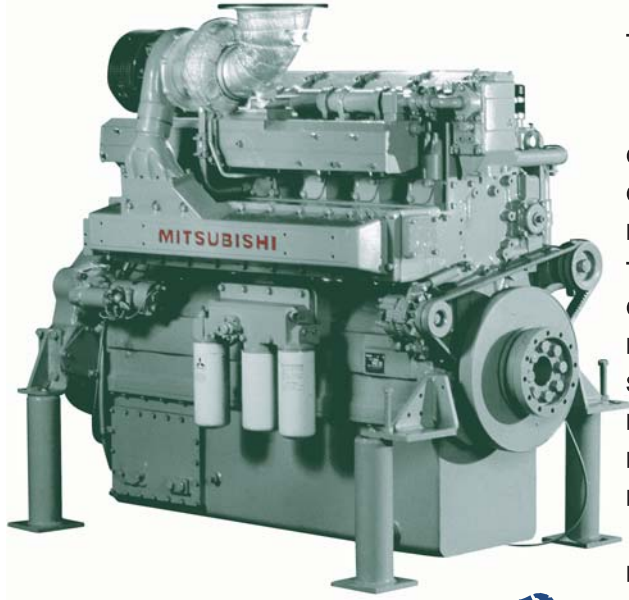
MITSUBISHI ENGINE NORTH AMERICA, INC.
1250 GREENBRIAR DRIVE, SUITE E, ADDISON, IL 60101
P: 630.268.0750 F: 630.268.9293 www.mitsubishi-engine.com



MITSUBISHI MARINE

S6R

-Y2MPTK



Type

4-cycle, watercooled, turbocharged diesel engine
Y2MPTK with intercooler, cooled by fresh water of max 38°C

Combustion System

Direct Injection

Configuration

In-Line, 6-Cylinder

Bore x Stroke - inches (mm)

6.69 (170) x 7.09 (180)

Total Displacement - in³ (ltr)

1,496 (24.51)

Compression Ratio

14.5: 1

Rotation

SAE Standard (Counter-Clockwise Viewed from Flywheel End)

Starting System

Electric Motor, 24 Volt - 7.5kW

Flywheel

SAE 18

Flywheel Housing

SAE #0

Fuel Oil

ASTM D975, No. 1-D, No. 2-D

Dry Weight - lbs (kg)

6240 (2830)

Output Marine Propulsion

HP (kWm) @ RPM



630 (470) @ 1600

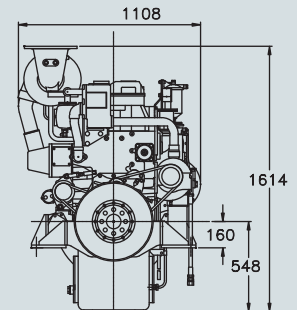
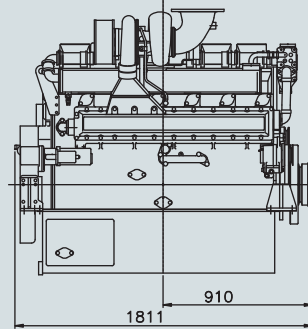
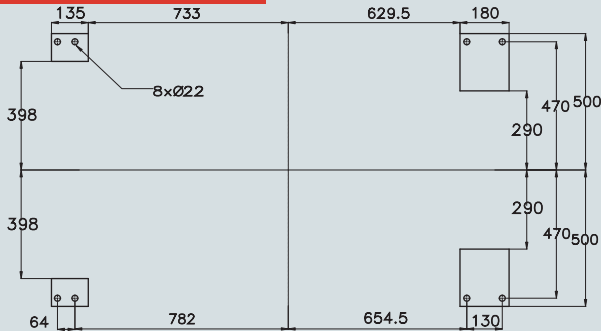
EPA CERTIFIED

Photos may show optional equipment

Outside Dimensions

Dimensions in millimeters (1 inch = 25.4mm)

General Dimensions for reference only, not to be used for installation. See specific model drawings for further details.



Standard Engine Equipment

Fuel System

Flexible fuel supply and return hoses, fuel feed pumps, fuel filters, fuel injection pumps, fuel injectors, overflow valve

Lubricating Oil System

Wet type oil pan with inspection covers, oil pressure pump, full-flow lubricating oil filters, by-pass filter, oil cooler with thermostat, piston cooling through oil injectors

Cooling System

Fresh water pump, thermostats with by-pass.

24 Volt Electric System Earth Floated

Starter motor battery charging alternator (35 amp), energize to stop (ETS) stop solenoid

Air Intake and Exhaust System

Mitsubishi turbocharger with vertical exhaust outlet, air inlet silencers with pre-cleaner, inlet air aftercooler or intercoolers, inlet manifolds, fresh water cooled exhaust manifold.

General

Hydraulic Woodward PSG governor with oil supply system, mounting brackets, flywheel and housing SAE standard, torsional vibration damper, parts catalog and owners manual

Mitsubishi Engine, their respective logos as well as corporate and product identity used herein, are trademarks of Mitsubishi and may not be used without written permission.

Distributed By:



Specifications are subject to change without prior notice

MLEMB 0910